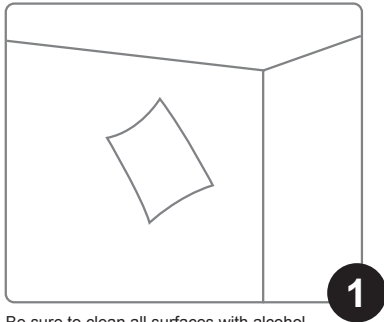
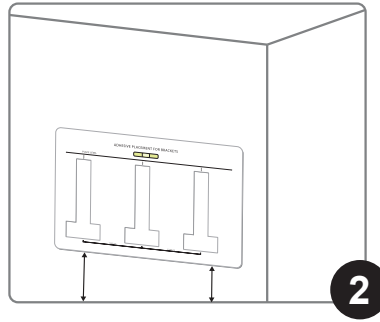


# SQUEEZE BRACKET

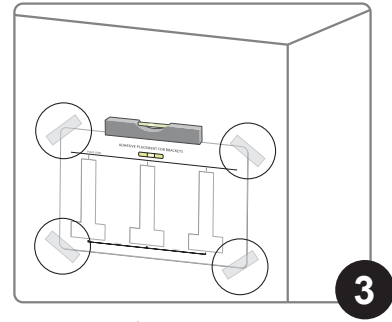
## INSTALLATION INSTRUCTIONS



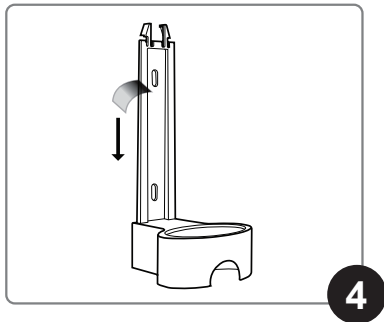
**1**  
Be sure to clean all surfaces with alcohol and dry thoroughly prior to installation to remove any greasy residue.



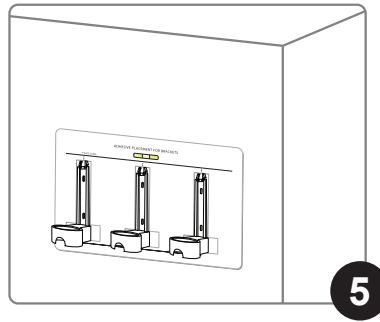
**2**  
Place the template on the wall, make sure it is level. Template should be placed **48 inches** from floor to bottom of template.  
**Tub:** Dispenser(s) should be centered directly above the soap dish on tub wall and placed at chest level  
**Shower:** Dispenser(s) should be placed away from water spray and at chest level  
**If in the tub and shower area, avoid direct spray of water.**



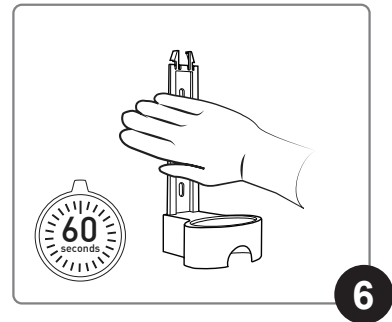
**3**  
Put level to top of template and tape corners of template in desired spot.  
**Do not use glue on the template.**



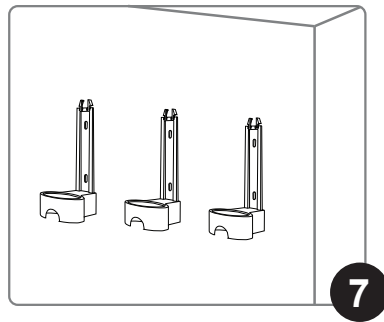
**4**  
Peel off backing of adhesive strip on bracket. Note - Backing adhesive strip is on lower part of Squeeze bracket.



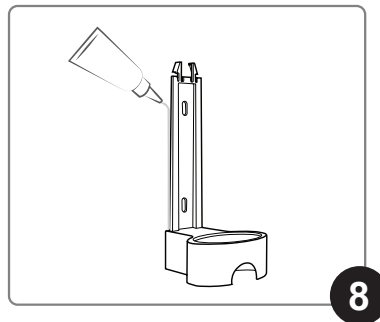
**5**  
Place the brackets inside the template. Make sure they are centered.



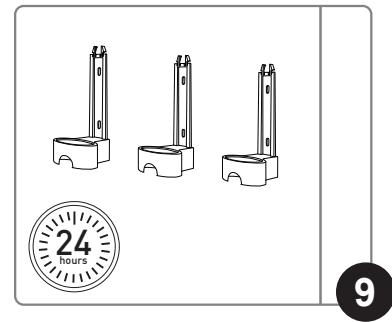
**6**  
Press entire bracket against desired surface for 60 seconds to ensure bracket has adhered to surface.



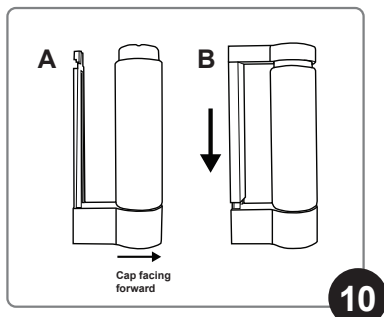
**7**  
Remove template from the wall.



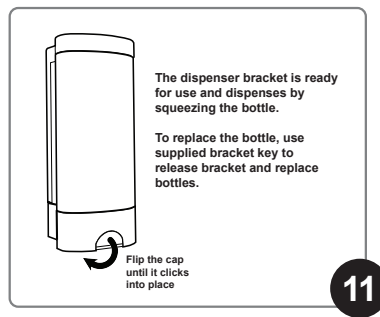
**8**  
Apply a bead of bathroom-grade silicone around the edge of each bracket unit.



**9**  
Leave brackets on wall for 24 hours before use.



**10**  
**A.** Insert bottle into bracket and ensure the cap is facing forward.  
**B.** Slide the top part of the bracket into place and push down until it clicks into place.



**11**  
The dispenser bracket is ready for use and dispenses by squeezing the bottle.  
To replace the bottle, use supplied bracket key to release bracket and replace bottles.  
Flip the cap until it clicks into place.  
Holding the bottle, flip the cap lid all the way back until it clicks in place.